



TAPARIA TOOLS LTD.

AN ISO-9001 COMPANY



CUT-OFF WHEEL

GOLD SERIES

COWG 04
105X1.0X16mm



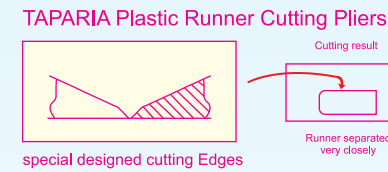
1. TAPARIA Cut off Wheels manufactured from high quality Aluminium Oxide.
2. Super thin Wheel for precise & fast cutting.
3. Double net for Safety.
4. Suitable for cutting metal & Stainless Steel.
5. TAPARIA Cut off wheels are value for money due to extra long cutting life.

Product	Net	Diameter	Bore	Thickness	Colours
COWG 04	2 net	105m	16m	1.0m	Black
COWG 2 GR04	2 Net	105m	16m	1.0m	Green
COWG 1 BL 14	1 Net	355m	25.4m	2.5m	Black
COWG 1 GR 14	1 Net	355m	25.4m	2.5m	Green
COWG 2 BL 14	2 Net	355m	25.4m	2.5m	Black

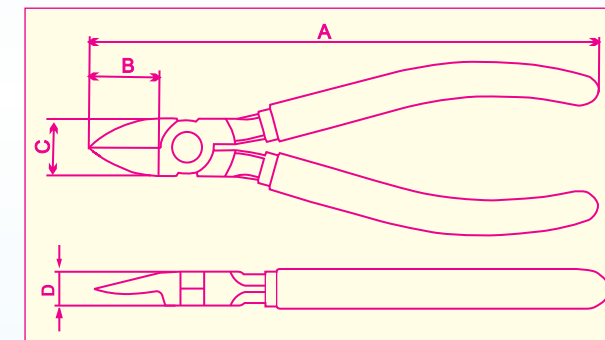


Plastic Runner Cutting Pliers

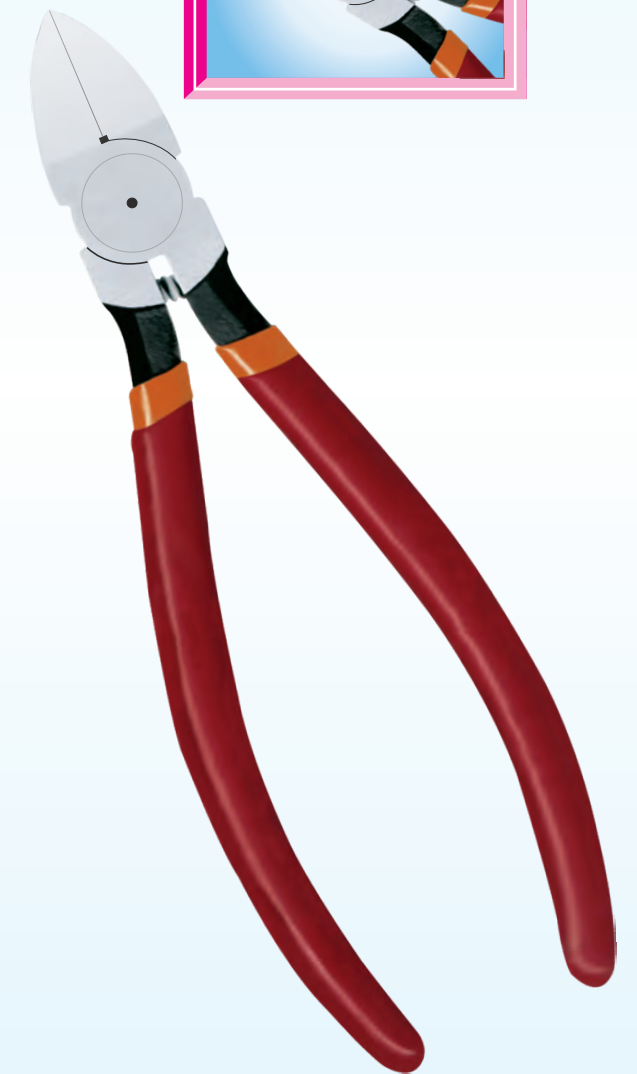
- TAPARIA Plastic Runner Cutting Pliers are specially designed to closely cut / separate the runner from the plastic moulded objects.



- These pliers can also be used to cut small plastic parts, remove the extra flash from moulded objects, etc..
- Precise matching of the cutting edges to prevent the cutting edges from damaging each other during use.
- Drop forged with high quality steel.
- Induction hardened cutting edges to enable long cutting life.
- Attractive and comfortable two colour plastic dipped handle Sleeves.
- Fitted with a Coil Spring to reduce hand fatigue, and increase efficiency.



PRODUCT NO.	A	B	C	D	WEIGHT GRAMS
PCP - 06	157	20	18.6	10.5	150



TAPARIA TOOLS LTD.



Head Office : 423 / 424, A-2, Shah & Nahar, Lower Parel (W), Mumbai - 400 013. & : 6147 8600
Fax : 91-22-2495 3230. • **E-mail :** sales@tapariatools.com • **Web Site :** http://www.tapariatools.com
Works : 52-B, M. I. D. C., Satpur, Nashik - 422 007. & : 2350 317 / 318 / 418 • **Fax :** 0253-2350740



An ISO-9001 Company

TAPARIA® TAPARIA® TAPARIA® TAPARIA® TAPARIA®